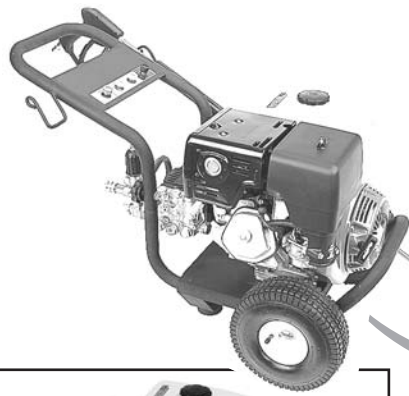


# Xtreme Series

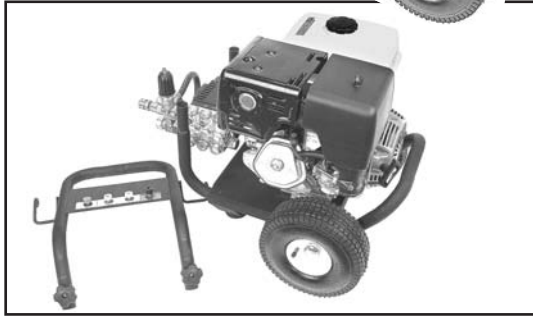


**Perfect for:**

- Shopping Centers
- Manufacturing
- Schools
- Marinas
- Food Processors
- Warehouses
- Hospitals
- Chemical Processors



*The Power Force XTreme Series combines portability, durability and power to handle the most demanding jobs. The XTreme Series is perfect for tough industrial and rental yard applications because of its ease of use and transportation.*



#### Removable Handle

The easy-to-remove handle of the XTreme Series allows the equipment to be stored or transported with ease.



#### Hoses

Industrial 50' high-pressure hose with quick disconnects and heavy-duty adjustable detergent injector with strainer for extra long life.

### STANDARD FEATURES

- Powder-coated rust protected frame
- Reliable and smooth triplex plunger pump
- Choice of General on Comet pump
- Durable Honda gasoline engine
- Pneumatic tube wheels
- Detergent injector
- 50' high pressure hose with quick disconnects
- 36" wand with shut-off gun
- Three high pressure spray nozzles (0°, 15° and 25°)
- One detergent nozzle
- Four quick-change spray nozzles

### XTREME SERIES SPECIFICATIONS

| MODEL     | PC3020HDXX | PC3025HDXX | PC3030HDXX | PC4030HDXX | PC3540HDXX |
|-----------|------------|------------|------------|------------|------------|
| GPM       | 3.0 GPM    | 3.0 GPM    | 3.0 GPM    | 4.0 GPM    | 3.5 GPM    |
| PRESSURE* | 2000 PSI   | 2500 PSI   | 3000 PSI   | 3000 PSI   | 4000 PSI   |
| HP        | 5.5        | 6.5        | 9.0        | 11.0       | 13.0       |
| ENGINE    | HONDA      | HONDA      | HONDA      | HONDA      | HONDA      |
| HOSE      | 30'        | 30'        | 50'        | 50'        | 50'        |

\* GALLONAGE AND PRESSURE MAY VARY ± 5% DUE TO MANUFACTURING TOLERANCES IN COMPONENTS.

### 5-1 YEAR LIMITED WARRANTY

- 5 years on pump & frame
- 1 year-90 days on remaining components



Alcester, South Dakota 57001  
 1.800.255.6823 fax 1.800.325.5682  
 www.alkota.com

